

# Specifications

## TLP Pro 725T Series

### Display

Screen type .....	TFT Active matrix color LCD display
Size .....	7" (17.8 cm), measured diagonally
Resolution.....	1024x600, WSVGA
Pixel density.....	170 PPI
Aspect ratio .....	17:10
Color depth.....	24 bit, 16.7 million colors
Transparency .....	8 bit
Brightness .....	420 nits (cd/m <sup>2</sup> )
Contrast.....	700:1
Backlight.....	LED
Viewing angle.....	±75° horizontal, +70°/-75° vertical
Touch screen .....	Capacitive

### Memory

RAM .....	2 GB
Storage.....	4 GB

### Communication

Ethernet interface	
Control/communications port ..	1 female RJ-45 connector
Data rate .....	10/100/1000Base-T, half/full duplex with autodetect
Protocol.....	DHCP, DNS, HTTP, HTTPS, ICMP, SFTP, SSH, TCP/IP, UDP/IP
Default settings.....	Link speed and duplex level: autodetected IP address = 192.168.254.251 Subnet mask = 255.255.255.0 Default gateway = 0.0.0.0 DHCP = off DNS = 127.0.0.1

### Software

Configuration software .....	Global Configurator Plus and Professional, GUI Designer
Programming software.....	Global Scripter
Control apps.....	Extron Control, iGVE
Resource management software	
	GlobalViewer Enterprise
Utilities .....	Toolbelt, Embedded web page

### Sensors

Motion sensor.....	On/off
Light sensor.....	Auto/manual

### USB

Number/signal type.....	1 high-speed USB 2.0 device
Connectors .....	1 USB type A connector
Standards .....	USB 2.0, USB 1.1, USB 1.0 compatible
Max. data rates.....	Low speed (1.5 Mbps), full speed (12 Mbps), high speed (480 Mbps)

## Audio output

Speaker output .....	1 mono, 89 dB Max. SPL @ 0.1 m
Frequency response .....	750 Hz to 20 kHz, ±5 dB
Playback format(s)	
Container format .....	WAV (Microsoft RIFF)
Encoding .....	LPCM (uncompressed)
Bit depth .....	Unsigned 8-bit Signed 16-bit Signed 24-bit Signed 32-bit
Sampling rate .....	Up to 192 kHz
Audio channels.....	Mono or stereo

## General

Power supply .....	Not included
Power input requirements .....	Power over Ethernet (PoE 802.3af, class 3)
Power consumption — Power injector (XTP PI 100)	
Device .....	8.2 watts
Device and power injector .....	10.6 watts
Auxiliary power output	
USB .....	5 VDC, 275 mA
Temperature/humidity .....	Storage: -4 to +140 °F (-20 to +60 °C) / 10% to 90%, noncondensing Operating: +32 to +104 °F (0 to +40 °C) / 10% to 90%, noncondensing
Cooling .....	Convection, vents on back
Thermal dissipation— Power injector (XTP PI 100)	
Device .....	23.1 BTU/hr
Device and power injector .....	31.3 BTU/hr

COURTESY OF

**JSA** JAY STANLEY  
& ASSOCIATES

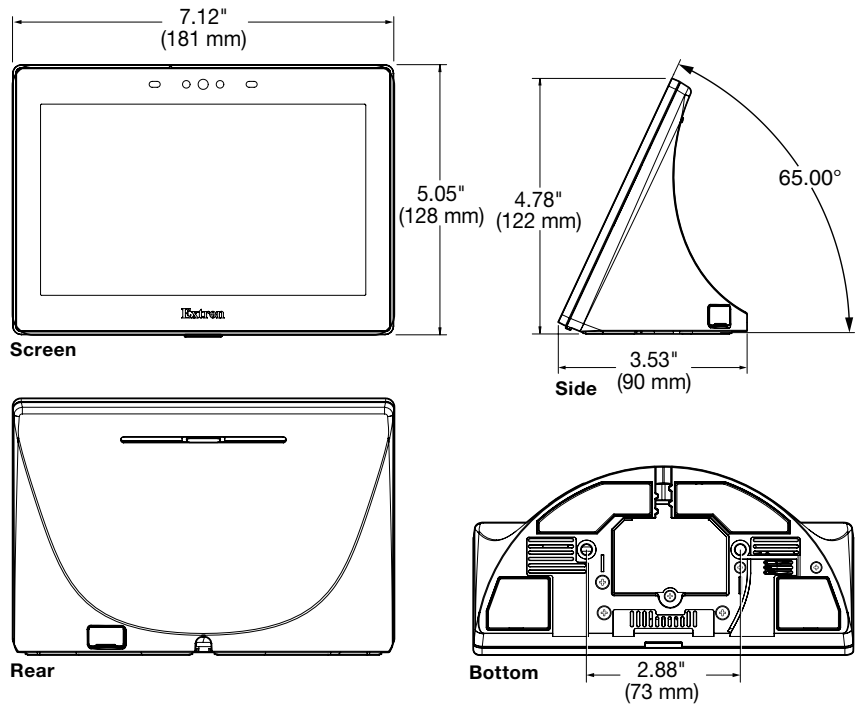
(501) 758-8029 | (888) 758-4728

[www.jaystanley.com](http://www.jaystanley.com)

*Connecting Presenters with Audiences*

SIGHT | SOUND | SERVICE

Mounting ..... Set on a tabletop  
 Enclosure type ..... Plastic



Enclosure dimensions ..... 4.78" H x 7.12" W x 3.53" D  
 (122 mm H x 181 mm W x 90 mm D)  
 Product weight ..... 1.75 lb (0.79 kg)  
 Vibration ..... ISTA 1A in carton (International Safe Transit Association)  
 Regulatory compliance  
   Safety ..... CE, c-UL, UL  
   EMI/EMC ..... CE, C-Tick, FCC Class B, ICES, VCCI  
   Environmental ..... Complies with the appropriate requirements of RoHS and WEEE.  
 Warranty ..... 3 years parts and labor; touchpanel display and overlay components are covered for 1 year

**NOTES:**

- All nominal levels are at ±10%.
- Specifications are subject to change without notice.
- Shipping dimensions and weights are available at [www.extron.com](http://www.extron.com).