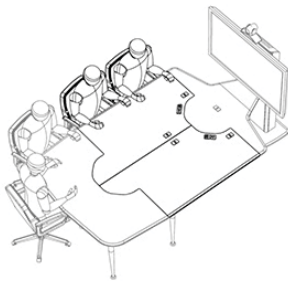


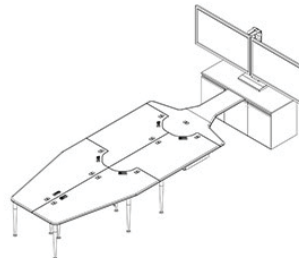
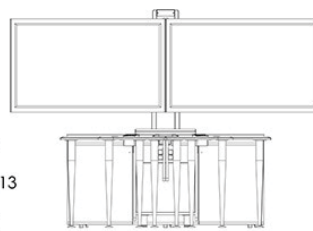
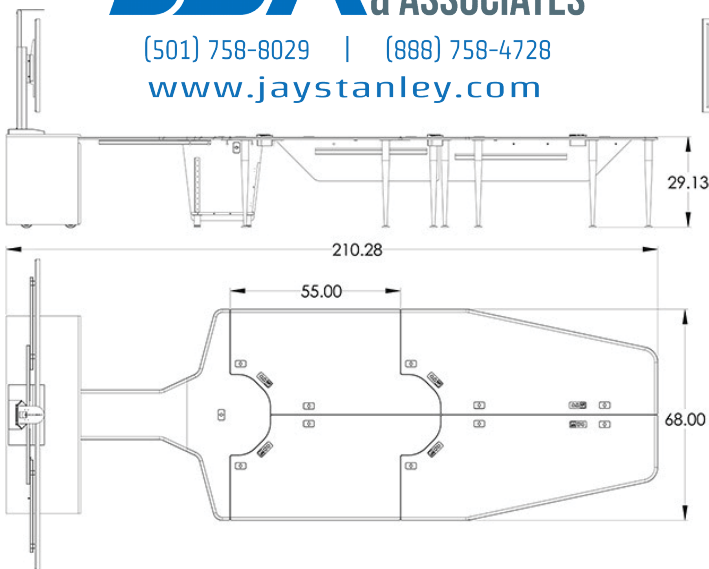
VC-TABLE T3 shown



T324 T1 shown

**JSA** JAY STANLEY & ASSOCIATES

(501) 758-8029 | (888) 758-4728  
www.jaystanley.com



**411 Extension** is for larger boardrooms. Table can be extended to accommodate 4 additional people. Designed for table packages VC-TABLE T1, VC-TABLE T3 and collaboration table T324.

**Standard Features**

- Accommodates 4 additional people
- Scratch resistant thermal wrap finish in many colors
- Offered for VC-TABLE T1, VC-TABLE T3 and collaboration table T324

**Options (Table)**

- **PLM1022** 10" - 24" LCD monitor mount
- **TVCB** Camera bracket for freestanding or wall mount TV's
- **CS** Wall mount camera or codec shelf
- **CBB-TV** Under TV camera bracket (26" - 80" TV's)
- **PB** Six outlet power bar with 10 ft. cord
- **SF-PB3** Surface mounted 3-outlet 120V power bar
- **POP5** Pop-up connection panel
- **CUB4** Black-B/Silver-S Power Panel
- **CHGQIW** Wireless charging station white
- **CHGQI-DNGL** Dongle lightning, 30-pin, Micro-USB. Requires CHGQIW.
- **9031** Vented metal shelf
- **9041** Sliding shelf
- **9052** Sliding drawer
- **GRC60** 60mm Round grommet. Black-B, white-W & grey-G
- **CUSTOM CUTOUT** Cutouts for electronics or other items specified by the customer

**Specifications**

**Model:** 411 Extension  
**Width:** 68"  
**Depth:** 68"  
**Height:** 29-1/8"

**Finishes**



The information contained in this drawing is the sole property of Audio Visual Furniture International. Any reproduction in part or as a whole without the written permission of Audio Visual Furniture International is prohibited. We can build or modify stock configurations to suit customer specifications. Please contact us to discuss how this service can help meet your needs. Some quantity restrictions may apply. Specification subject to change without notice. Computers, cameras, monitors, etc. are shown to illustrate product usage and are not included unless otherwise noted.